



## 2014 World Championship Rules

## Table of Contents

1. Team Member Eligibility .....	5
1.1 Player Age .....	5
1.2 Residency and Work Eligibility .....	5
1.3 No Riot Employees .....	5
2. Prize.....	5
2.1 Event Prize .....	5
3. Roster Rules .....	6
3.1 Team Eligibility .....	6
3.2 Roster Requirements .....	6
3.3 Roster Submission.....	6
3.4 Single-Day Substitutions .....	7
3.5 Team Tags and Player Names .....	7
4. Player Equipment.....	8
4.1 WCE-Provided Equipment.....	8
4.2 Player-Owned or Team-Owned Equipment.....	8
4.3 Replacement of Equipment .....	9
4.4 Player Uniforms.....	9
4.5 Computer Programs & Usage .....	9
4.6 Client Accounts .....	10
4.7 Audio Controls .....	10
4.8 Equipment Tampering .....	10
5. Venue and Competition Area Layout.....	11
5.1 General Venue Access.....	11
5.2 Match Area.....	11
5.3 Warm-up Area.....	11
5.4 Other Team Member Areas .....	11
6. Tournament Structure .....	12
6.1 Definition of Terms .....	12
6.2 Schedule.....	12

6.3	Phase Details.....	12
7.	Match Process.....	15
7.1	Changes to Schedule.....	15
7.2	Arrival at Studio .....	15
7.3	Role of Referees.....	15
7.4	Competitive Patch.....	16
7.5	Pre-Match Setup .....	16
7.6	Game Setup.....	17
7.7	Pick / Ban Phase & Side Selection .....	19
8.	Game Rules .....	22
8.1	Definition of Terms .....	22
8.2	Game of Record .....	22
8.3	Stoppage of Play .....	22
8.4	Game Restart .....	24
8.5	Awarded Game Victory .....	26
8.6	Post-Game Process .....	26
8.7	Post-Match Process.....	27
9.	Player Conduct.....	28
9.1	Competition Conduct.....	28
9.2	Unprofessional Behavior.....	30
9.3	Association with Gambling.....	32
9.4	Subjection to Penalty .....	33
9.5	Penalties.....	33
9.6	Right to Publish .....	33
10.	Spirit of the Rules.....	34
10.1	Finality of Decisions .....	34
10.2	Rule Changes.....	34

## Introduction and Purpose

These Official Rules (“**Rules**”) of the 2014 World Championship Event (“**WCE**”) apply to each of the teams, who have qualified to play in Worlds in 2014, as well as their managers, coaches, players, and other employees. These Rules apply only to the 2014 WCE not to other competitions, tournaments or organized play of League of Legends (“**LoL**” or the “**game**”).

League of Legends Championship Series LLC, a Delaware limited liability company, has established these Rules for the competitive play of LoL in order to unify and standardize the rules used in the 2014 WCE.

These Rules are designed solely to ensure the integrity of the system established by the WCE officials for professional play of LoL and a competitive balance among the teams that play at the professional level. Standardized rules benefit all parties who are involved in the professional play of LoL, including the teams, players and general managers.

These Rules do not restrict competition for players. The terms of engagement between players and teams are left to each of the teams and its players. The terms are to be set forth in written agreements between a team and each of its players known as the Player Agreement (“**Player Agreement**”).

# 1. Team Member Eligibility

To be eligible to compete in the WCE, each player must satisfy the following conditions:

## 1.1 Player Age

No player shall be considered eligible to participate in Worlds before his or her 17<sup>th</sup> birthday, defined as having lived 17 full years.

## 1.2 Residency and Work Eligibility

Each player must have proof that, at the time of the WCE, he/she will be a legal resident of a country in their region.

## 1.3 No Riot Employees

Owners, managers, coaches, Starters, and Reserve players (“**Team Members**”) may not be employees of Riot Games Inc. (“**RGI**”) or League of Legends eSports Federation LLC or any of their respective affiliates at the start of or at any point during the WCE. “**Affiliate**” is defined as any person or other entity which own or controls, is under the ownership or control of, or is under common ownership or control with, an Owner. “**Control**” shall mean the power, through any means, to determine the policies or management of an entity, whether through the power to elect, appoint or approve, directly or indirectly, the directors, officers, managers or trustees of such entity or otherwise.

# 2. Prize

## 2.1 Event Prize

The 2014 World Champion will receive a prize of \$1,000,000 USD. The World Champion is considered the team that wins the best-of-five finals. The 2<sup>nd</sup> place finisher will receive \$250,000 USD. Teams finishing in the 3<sup>rd</sup>/4<sup>th</sup> position will receive \$150,000 USD. Teams finishing in the 5<sup>th</sup> – 8<sup>th</sup> position will receive \$75,000. 3<sup>rd</sup> place finishers during the Group Stage will receive \$45,000 USD. 4<sup>th</sup> place finishers will receive \$25,000 USD. If there is a tie between the 3<sup>rd</sup> and 4<sup>th</sup> place finishers in the group stage then both teams will receive \$35,000 USD.

<b>Position:</b>	<b>Prize:</b>
World Champion	\$1,000,000 USD
2 <sup>nd</sup> Place	\$250,000 USD
3 <sup>rd</sup> – 4 <sup>th</sup>	\$150,000 USD
5 <sup>th</sup> – 8 <sup>th</sup>	\$75,000 USD

<b>Group Stage Position:</b>	<b>Prize:</b>
1 <sup>st</sup>	Advance to Quarterfinals
2 <sup>nd</sup>	Advance to Quarterfinals
3 <sup>rd</sup>	\$45,000
4 <sup>th</sup>	\$25,000
If 3 <sup>rd</sup> and 4 <sup>th</sup> are tied:	\$35,000

### 3. Roster Rules

#### 3.1 Team Eligibility

Teams shall qualify for the 2014 WCE from the region in which they compete, and by the rules set forth by that region. Regions will be awarded the following number of berths in the World Championships:

- 3.1.1 **North America:** 3
- 3.1.2 **Europe:** 3
- 3.1.3 **Korea:** 3
- 3.1.4 **China:** 3
- 3.1.5 **Southeast Asia:** 2
- 3.1.6 **International Wildcard:** 2

#### 3.2 Roster Requirements

Each team is required to maintain, at all times during the WCE, five players in the starting lineup ("**Starters**"), and one substitute player ("**Reserve**") (collectively, the "**Active Roster**"). The Active Roster is considered locked as of August 1<sup>st</sup>, 2014. The Active Roster that was submitted to or known by WCE officials on this date will be considered the eligible Active Roster for the WCE. In the case of an emergency, a team may add a substitute after this deadline, however, the substitute added must not have been on any other professional roster on August 1<sup>st</sup> and must have been eligible to be on a professional roster on August 1<sup>st</sup>. All Starters must have a written contract with the team they are playing for.

#### 3.3 Roster Submission

Before the start of the WCE, each team must submit their roster to the WCE officials, assigning five starters and one reserve. The roster must consist of players that were on the Active Roster in the region of the team on August 1<sup>st</sup>. If no substitute existed on that Active Roster, then WCE officials will contact that team and force the addition of a substitute for the WCE. In the event that a team selects to modify the starting lineup, the request must be submitted in advance of any proposed effective date of any such change, at the earliest possible date and time.

Requests to modify a starting lineup for the team's first match on a given day may not be submitted any later than 23:59 prior to the start of that broadcast and/or webcast day. The Submission must also include all personal information requested about the Team and Team Members by the WCE officials. This shall include the Team Members' In-Game Name (along with desired spelling and capitalization thereof).

### **3.4 Single-Day Substitutions**

If a team wishes to substitute players after the team's first match on a given day, those substitutions must be declared to the head referee before the start of the next game, as defined as the start of the pick/ban process. A team may not substitute a player within a match.

### **3.5 Team Tags and Player Names**

Teams will be permitted a tag of 2-3 characters to be added to the front of each player's Summoner Name on the tournament realm. These tags must be upper-case letters or numbers 0-9 only. Summoner Names may include upper-case letters, lower-case letters, numbers 0-9, underscores, or single spaces between words only. Summoner Names must not exceed 12 characters including spaces. No additional special characters will be allowed for team names, Summoner Names, or tags. Summoner Names may not contain: vulgarities or obscenities; LoL champion derivatives or other similar character names; derivatives of products or services that may create confusion; or sponsor names. All Team tags and Summoner Names must be approved by the WCE officials in advance of use in play, and are not eligible to be changed during the WCE. A name change may be allowed under certain extenuating circumstances, but must be approved by the WCE officials prior to use.

## **4. Player Equipment**

### **4.1 WCE-Provided Equipment**

WCE officials will provide, and WCE players will exclusively use, equipment in the following categories to WCE players for all official WCE matches:

- 4.1.1** PC & Monitor
- 4.1.2** Hand Warmers
- 4.1.3** Headsets and/or Earbuds and/or Microphones
- 4.1.4** Table and Chair

At the request of a WCE player, WCE officials will provide the following categories of equipment for use in all official WCE matches:

- 4.1.5** PC Keyboards
- 4.1.6** PC Mice and cord holders
- 4.1.7** Mousepads

All WCE-provided equipment shall be chosen, selected, and determined at the sole discretion of the WCE officials.

### **4.2 Player-Owned or Team-Owned Equipment**

Players are allowed to bring equipment in the following categories, which are owned by themselves or their teams, into the match area and use such equipment during official WCE matches:

- 4.2.1** PC Keyboards
- 4.2.2** PC Mice and cord holders
- 4.2.3** PC Mousepads

In the match area, players may not bring, use, or wear any headsets, earbuds and/or microphones, other than those provided by the WCE, with the following sole exception: players may wear a second headset, which is owned by themselves or their Teams, around their necks, so long as such second headset is a product of a Team sponsor and remains, at all times, unplugged, unpowered, without a battery of any kind, and is not used for any purpose other than decoration. If the second headset has a microphone, it must, at all times, remain fully retracted or in the opposite of a “ready” position.



All player-owned or team-owned equipment must be submitted to the WCE officials in advance for approval. Unapproved equipment or equipment that is suspected by the WCE officials of providing an unfair competitive advantage will not be permitted for use. If the Player's equipment is designated as unapproved, then the Player will be required to use WCE-provided equipment instead.

At their discretion, WCE officials may disallow the use of any individual piece of equipment for reasons relating to tournament security, safety, or operational efficiency or effectiveness.

No player-owned or team-owned hardware or equipment may be brought into the Match Area if it features or displays any name, likeness or logo of a company or brand which is a competitor of Riot Games or LoL.

### **4.3 Replacement of Equipment**

If equipment or technical problems are suspected by WCE officials at any time, a player or WCE official may request a technical review of the situation. A WCE technician will diagnose and troubleshoot problems, as needed. Technicians may request that the WCE officials order replacement of any equipment, at their discretion. Decisions regarding the replacement of any equipment are solely at the discretion of the WCE officials.

### **4.4 Player Uniforms**

Players must wear official team uniforms during all WCE matches and pre-match and post-match interviews required by the WCE. If no team requirement exists, players must wear pants and closed-toe shoes, as well as team-branded apparel on their upper body, during the entirety of any WCE event or appearance. For the avoidance of doubt, sweatpants, athletic pants, and/or pajama pants will not be considered appropriate attire unless pre-approved by WCE officials. Jerseys and all other apparel worn during such times are subject to the restrictions set forth in Section 9 below. Jerseys and apparel are always subject to the review and discretion of WCE officials.

### **4.5 Computer Programs & Usage**

Players are prohibited from installing their own programs and must use only the programs provided by the WCE.

**4.5.1 Voice Chat.** Voice chat will be provided only via the native system used in the WCE-provided headsets. Use of third-party voice chat software

(e.g., Skype) is not permitted. WCE officials may monitor a team's audio at the discretion of the WCE.

**4.5.2 Social Media and Communication.** It is prohibited to use the WCE computers to view or post on any social media or communication sites. This includes, but is not limited to, Facebook, Twitter, online forums/message boards and email.

**4.5.3 Non-Essential Equipment.** It is prohibited to connect non-essential equipment, such as cell phones, flash drives or MP3 players, to the WCE computers, for any reason.

#### **4.6 Client Accounts**

Players will have Tournament Realm logins provided for them by the WCE. It is the players' responsibility to configure their account to their preferences. The account's Summoner Name must be set only to the player's official tournament handle, as approved by the WCE officials.

#### **4.7 Audio Controls**

Players will be required to maintain volume levels above minimum settings, which will be clearly marked on the controls. WCE officials may require players to adjust their volume levels higher if the officials determine, at their sole discretion, that volume levels are too low.

Headphones must be placed directly on a player's ears, and must remain there for the duration of the game. The microphone attached to the headset must be close to the player's mouth and may be adjusted by WCE officials if it is determined to be out of position. Players are not permitted to obstruct the placement of headphones by any method or place any item, including hats, scarves or other articles of clothing, between the headphones and the player's ears.

#### **4.8 Equipment Tampering**

Players may not touch or handle another teammate's owned or provided equipment after a match has started. Players who require assistance with their equipment should ask assistance from a WCE official.

## 5. Venue and Competition Area Layout

### 5.1 General Venue Access

Access for WCE teams to the restricted areas of venues for official WCE matches is restricted to Team Members only, unless otherwise approved, in advance, by WCE officials. Permission to attend WCE matches is solely at the discretion of the WCE.

### 5.2 Match Area

The “match area” is comprised of the area immediately surrounding any competition PCs used during match play. During match play, presence of Team Members in the match area is restricted solely to the Starters of the teams in play.

**5.2.1 Team Managers.** Managers may be in the match area during the match prep process, but must leave prior to the pick/ban phase and may not return until after the end of the match.

**5.2.2 Wireless Devices.** Wireless devices, including mobile phones and tablets, must be powered off while the players are involved in active play, including during pick/ban phase, pauses, remakes, and between games of multi-game matches. WCE officials will collect such devices from players in the match area and return them after the end of the match.

**5.2.3 Food and Drink Restrictions.** No food is allowed in the match areas. Drinks are permitted in the match area only in Riot-branded re-sealable containers. WCE officials will provide such containers to players upon request.

### 5.3 Warm-up Area

The warm-up area (which also may be referred to as a “Green Room”) will contain PCs designated by the WCE specifically for players to practice on before their official matches begin. The warm-up area is reserved for Team Members only and access will be provided by WCE officials at their discretion.

### 5.4 Other Team Member Areas

Other Team Member Areas are areas within the venue, as defined by WCE officials from time to time, designed to allow players to relax and socialize in locations separate from the match area. Access to these areas is limited to Team Members, unless specific permission is otherwise granted by WCE officials.

## 6. Tournament Structure

### 6.1 Definition of Terms

- 6.1.1 Game.** An instance of competition on the Summoner's Rift map that is played until a winner is determined by one of the following methods, whichever occurs first: (a) completion of the final objective (destruction of a nexus), (b) Team Surrender, (c) Team Forfeit, or (d) Awarded Game Victory (See Section 8.5).
- 6.1.2 Match.** A set of games that is played until one team wins a majority of the total games (e.g., winning two games out of three ("best of three"); winning three games out of five ("best of five")). The winning team will either receive a win tally in a league format or advance to the next round in a tournament format.

### 6.2 Schedule

- 6.2.1** Group Stage 1 (Sept 18 ~ Sept 21)  
**6.2.2** Group Stage 2 (Sept 25 ~ Sept 28)  
**6.2.3** Quarterfinals (Oct 3 ~ Oct 6)  
**6.2.4** Semifinals (Oct 11 ~ Oct 12)  
**6.2.5** Finals (Oct 19)

### 6.3 Phase Details

- 6.3.1 First Round Group Stage.** The first round of the WCE will be a round robin. Each team from the group will play every other team twice, non-consecutively. Side selection for each matchup will be determined by a coin flip. All teams will play every other team on each side of the map (i.e. blue and red).
- 6.3.2 Tiebreaker.** If two teams are tied after the Group Stage, head to head record will be used as the first tiebreaker. If the two teams have an identical head-to-head record then the teams will play one tiebreaker game to determine final standings. Tiebreaker games will be played following the final game of the Group Stage for the respective group. Tied teams will compete against each other until there is a winner.
- 6.3.3 Three-way tie.** If three or more teams are tied, the head-to-head record of all teams against all other teams involved in the tiebreaker will be considered. If a single team owns a winning record (as defined as winning more than 50% of the games) against every other team in the

tiebreaker, they are automatically granted the highest seed available in the tiebreaker, and a new tiebreaker is declared amongst the remaining teams (i.e. head-to-head record between the remaining teams). If no team in a tiebreaker holds a winning record against all other teams, the following structures will be used: A single round-robin will be played among the three teams. If this does not result in a hierarchical ranking of teams (i.e., distinct 2-0, 1-1, and 0-2 team records), then the three teams will be drawn into a single-elimination bracket where the team who won its game in the shortest time during the single round-robin tiebreaker has a bye into the finals of the single-elimination bracket.

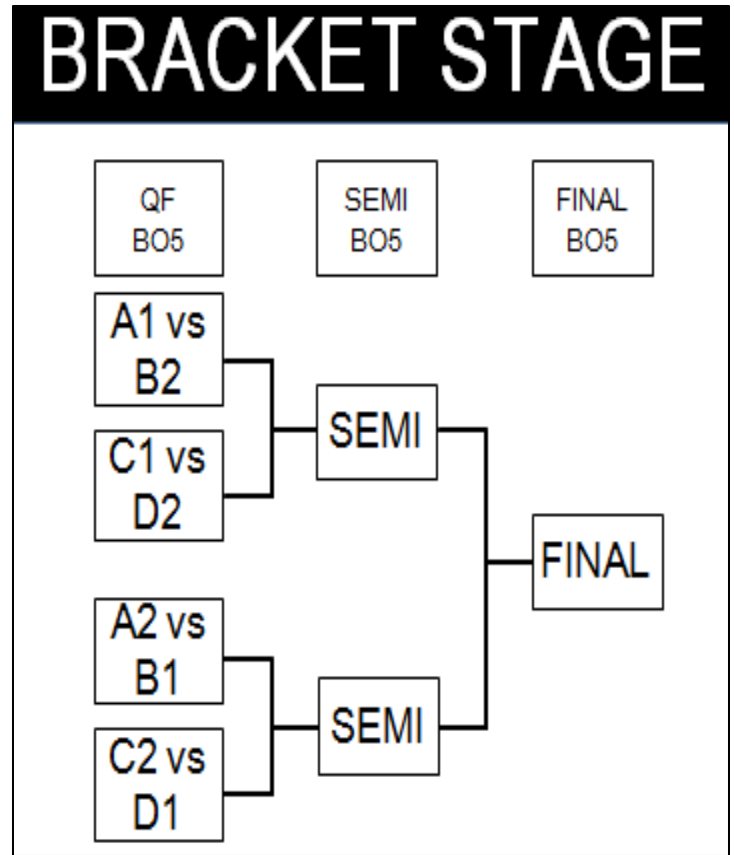
**6.3.4 Four-way tie.** The teams will be randomly drawn into a “Korean-style” or “dual” bracket, where teams play Bo1 matches throughout the tournament. The four teams will be split into two first-round matches; the winners will then face off in Game 3 while the losers face off in Game 4. The winner of Game 3 will be declared the top seed; the loser of Game 3 will face the winner of Game 4 in a contest to determine 2<sup>nd</sup>/3<sup>rd</sup> place; and the loser of Game 4 will be declared 4<sup>th</sup> place.

Side selection for all tiebreaker games will be determined by a coin flip.

**6.3.5 Second Round Quarterfinals.** Second round of the tournament will consist of four best-of-five matches. Seeding will be determined by team records from the Group Stage. The team securing the #1 seed from the group stages will play the #2 seed of the opposite group that competed in the same region (i.e. Taiwan A1 vs Taiwan B2; Singapore C1 vs Singapore D2). The winners of each match will advance to the Third Round Semifinals.

**6.3.6 Third Round Semifinals.** The third round of the tournament will consist of two best-of-five matches between the winners of the Quarterfinals matches. The winners of the third round Semifinals will face off in the Finals.

**6.3.7 Final Round.** The final round of the tournament will consist of one best-of-five match between the winners of the Semifinals. The winner of the Final round will be considered the 2014 World Champion and secure the top prize.



## 7. Match Process

### 7.1 Changes to Schedule

WCE officials may, at their sole discretion, re-order the schedule of matches within a given day and/or change the date of a WCE match to a different date or otherwise modify the schedule of matches. In the event that the WCE modifies a match schedule, the WCE will notify all teams at the earliest convenience.

### 7.2 Arrival at Studio

Members of a team's Active Roster who are participating in a WCE event must arrive at the studio no later than the time specified by WCE officials.

### 7.3 Role of Referees

**7.3.1 Responsibilities.** Referees are WCE officials who are responsible for making judgments on every match-related issue, question and situation which occurs before, during, and immediately following match play. Their oversight includes, but is not limited to:

**7.3.1.1** Checking the team's lineup before a match.

**7.3.1.2** Checking and monitoring player peripherals and match areas.

**7.3.1.3** Announcing the beginning of the match.

**7.3.1.4** Ordering pause/resume during play.

**7.3.1.5** Issuing penalties in response to Rule violations during the match.

**7.3.1.6** Confirming the end of the match and its results.

**7.3.2 Referee Comportment.** At all times, referees shall conduct themselves in a professional manner, and shall issue rulings in an impartial manner. No passion or prejudice will be shown towards any player, team, team manager, owner, or other individual.

**7.3.3 Finality of Judgment.** If a referee makes an incorrect judgment, the judgment can be subject to reversal. WCE officials at their discretion may evaluate the decision during or after the match to determine if the proper procedure was implemented to allow for a fair decision. If the proper procedure was not followed, WCE officials reserve the right to potentially invalidate the referee's decision. WCE officials will always maintain final say in all decisions set forth throughout the WCE.

**7.3.4 Gambling Prohibition.** All rules prohibiting gambling on LoL, as found below in Section 9, shall apply to referees without limitation.

## 7.4 Competitive Patch

The WCE will be played on the 4.14 patch. Changes to the competitive patch will be at the discretion of the WCE.

Champions who have not been available on the live service for more than 4 weeks will be automatically restricted. Champions that have undergone reworks will be subject to the WCE officials' discretion. Any champion may be disabled at the discretion of WCE officials.

## 7.5 Pre-Match Setup

**7.5.1 Setup Time.** Players will have designated blocks of time prior to their match time to ensure they are fully prepared. WCE officials will inform players and teams of their scheduled setup time and duration as part of their match schedule. WCE officials may change the schedule at any time. Setup time is considered to have begun once players enter the Match Area, at which point they are not allowed to leave without permission of the on-site WCE official or referee and accompaniment by another WCE official. Setup is comprised of the following:

**7.5.1.1** Ensuring the quality of all WCE-provided equipment.

**7.5.1.2** Connecting and calibrating peripherals.

**7.5.1.3** Ensuring proper function of voice chat system.

**7.5.1.4** Setting up rune and mastery pages.

**7.5.1.5** Adjusting in-game settings.

**7.5.1.6** Limited in-game warm-up.

**7.5.2 Seating Order.** Players must sit in the order in which they will join the lobby: Top, Jungle, Mid, ADC, Support. This order should be considered from the vantage point of a viewer standing in front of the players, and read from left-to-right.

**7.5.3 Technical Failure of Equipment.** If a player encounters any equipment problems during any phase of the setup process, player must alert and notify a WCE official immediately.

**7.5.4 Technical Support.** WCE officials will be available to assist with the setup process and troubleshoot any problems encountered during the pre-match setup period.

**7.5.5 Timeliness of Match Start.** It is expected that players will resolve any issues with the setup process within the allotted time and that match will begin at the scheduled time. Delays due to setup problems may be



permitted, at the sole discretion of WCE officials. Penalties for tardiness may be assessed at the discretion of the WCE officials.

- 7.5.6 Acknowledgement of Pre-Match Testing.** No fewer than ten minutes before the match is scheduled to begin, an WCE official will confirm with each player that their setup is complete.
- 7.5.7 Player Ready State.** Once all ten players in a match have confirmed completion of setup, players may not alter their rune pages or enter a warm-up game.
- 7.5.8 Game Lobby Creation.** WCE officials will decide how the official game lobby will be created. Players will be directed by WCE officials to join a game lobby as soon as testing has been completed, in the following order of positions: Top, Jungle, Mid, ADC, Support.

## **7.6 Game Setup**

- 7.6.1 Start of Pick / Ban Process.** Once all ten players have reported to the official game lobby, a WCE official will request confirmation that both teams are ready for the pick/ban phase (as defined and described below). Once both teams confirm readiness, a WCE official will instruct the room owner to start the game.
- 7.6.2 Recording of Pick / Ban Process.** Picks/bans will proceed through the client's Tournament Draft feature. If picks/bans are completed substantially in advance of game setup, at the instruction and discretion of WCE officials, the WCE officials will record the official picks/bans and manually abort the game start.

### 7.6.3 General / Game Settings

**7.6.3.1 Map:** Summoner's Rift

**7.6.3.2 Team Size:** 5

**7.6.3.3 Allow Spectators:** Lobby Only

**7.6.3.4 Game Type:** Tournament Draft

(See Setup screen below)

**Choose Your Map**

Summoner's Rift

The Twisted Treeline

The Proving Grounds

The Crystal Scar

**Game Options:**

Team Size: 5 Allow Spectators: Lobby Only

Game Type: Tournament Draft

Name: Regional Quarterfinal A

Password (Optional):

Quit Create Game

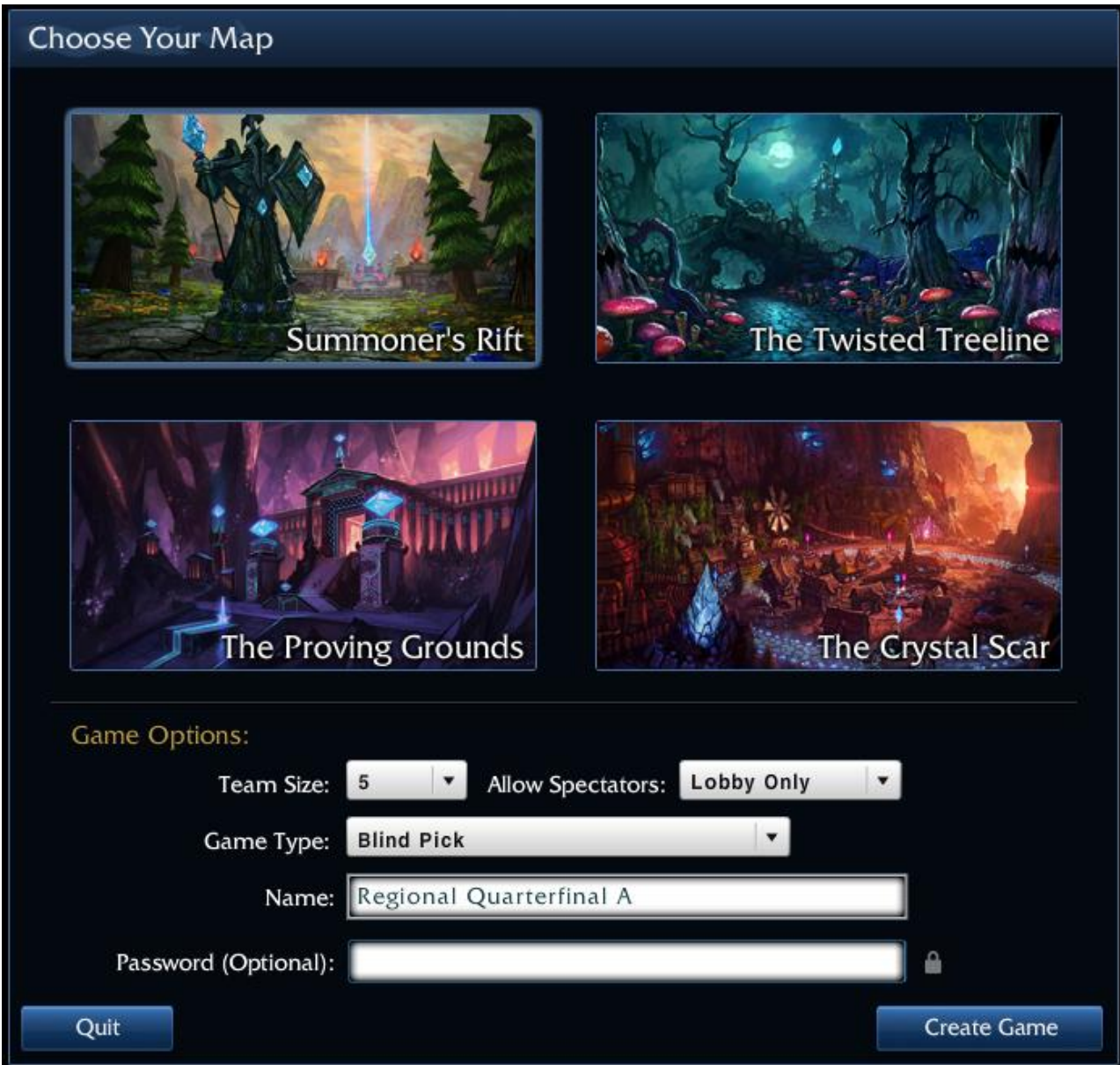
## 7.7 Pick / Ban Phase & Side Selection

- 7.7.1 Tournament Draft.** WCE officials may choose to employ either the Tournament Draft mode feature or a manual draft (e.g., draft that is conducted in chat without the use of an in-game feature). Starters for each team cannot be substituted after the start of the draft. Players may play any Champion which their team has drafted, but must confirm their selection with a WCE official.
- 7.7.2 Restrictions on Gameplay Elements.** Restrictions may be added at any time before or during a match, if there are known bugs with any items, Champions, skins, runes, masteries, or Summoner spells, or for any other reason as determined at the discretion of the WCE.
- 7.7.3 Side Selection.** Teams' sides will be pre-selected by coin flip during the Group Stage. During the Group Stage, each team will play every other team twice, once on blue side, once on red side. In the Quarterfinals, the higher seed will have side selection for all odd games. The lower seed will have side selection for all even games. For example, the higher seed may choose to play game 1 on blue side, but game 3 and 5 on red side and the lower seed may choose to play game 2 on red side and game 4 on blue side. Both teams will be required to submit their final decision by 23:59 of the day after the final group broadcast (in the time zone where the game will be played). If no decision is submitted the teams will default to blue side for their games. In the Semifinals and the Finals, side selection will be determined by coin flip.
- 7.7.4 Draft Mode.** Draft mode proceeds in a snake draft format as follows:  
*Blue Team = A; Red Team = B*  
Bans: ABABAB  
Picks: ABBAABBAAB
- 7.7.5 Selection Error.** In the event of an erroneously-selected Champion pick or ban, the team in error must notify a WCE official before the other team has locked in their next selection. If so, the process will be restarted and brought back to the point at which the error occurred so that the team in error may correct its mistake. If the next selection is locked before the team in error gives notice to a WCE official, the erroneous selection shall be deemed irrevocable.
- 7.7.6 Trading Champions.** Teams must complete all champion trades before the 20-second mark during the Trading Phase, or will be subject to a penalty in future games.

**7.7.7 Game Start After Pick/Ban.** A game will start immediately after the pick/ban process is complete, unless otherwise stated by a WCE official. At this point, WCE officials will remove any printed materials from the Match Area, including any notes written by Team Members. Players are not allowed to quit a game during the time between the completion of picks/bans and game launch, also known as “Free Time.”

**7.7.8 Controlled Game Start.** In the event of an error in game start or a decision by WCE officials to separate the pick/ban process from game start, a WCE official may start the game in a controlled manner using Blind Pick. All players will select Champions in accordance with the previous valid completed pick/ban process.

(See Setup screen on next page)



**7.7.9 Slow Client Load.** If a Bugsplat, disconnect, or any other failure occurs which interrupts the loading process and prevents a player from joining a game upon game start, the game must be immediately paused until all ten players are connected to the game.

## 8. Game Rules

### 8.1 Definition of Terms

- 8.1.1 Unintentional Disconnection.** A player losing connection to the game due to problems or issues with the game client, platform, network, or PC.
- 8.1.2 Intentional Disconnection.** A player losing connection to the game due to player's actions (*i.e.* quitting the game). Any actions of a player which lead to a disconnection shall be deemed intentional, regardless of the actual intent of the player.
- 8.1.3 Server Crash.** All players losing connection to a game due to an issue with a game server, Tournament Realm platform, or venue internet instability.

### 8.2 Game of Record

A game of record (“**GOR**”) refers to a game where all ten players have loaded and which has progressed to a point of meaningful interaction between opposing teams. Once a game attains GOR status, the period ends in which incidental restarts may be permitted and a game will be considered as “official” from that point onward. After the establishment of GOR, game restarts will be allowed only under limited conditions (see Section 8.4). Examples of conditions which establish GOR:

- 8.2.1** Any attack or ability is landed on minions, jungle creeps, structures, or enemy Champions.
- 8.2.2** Line-of-sight is established between players on opposing teams.
- 8.2.3** Setting foot, establishing vision or targeting skillshot ability in opponent's jungle by either team, which includes either leaving the river or entering brush connected to enemy jungle.
- 8.2.4** Game timer reaches two minutes (00:02:00).

### 8.3 Stoppage of Play

If a player intentionally disconnects without notifying a WCE official or pausing, a WCE official is not required to enforce a stoppage. During any pause or stoppage, players may not leave the match area unless authorized by a WCE official.

**8.3.1 Directed Pause.** WCE officials may order the pause of a match or execute a pause command on any player station at the sole discretion of the WCE officials, at any time.

**8.3.2 Player Pause.** Players may only pause a match immediately following any of the events described below, but must signal a WCE official immediately after the pause and identify the reason. Acceptable reasons include:

**8.3.2.1** An Unintentional Disconnection

**8.3.2.2** A hardware or software malfunction (e.g. monitor power or peripheral disability or game glitch)

**8.3.2.3** Physical interference with a player (e.g., fan gank or broken chair)

Player illness, injury, or disability is not an acceptable reason for a player pause. In such a situation, the team must alert a WCE official, who may in his/her sole discretion, grant a pause in order to evaluate the identified player to determine whether player is ready, willing, and able to continue playing within a reasonable period of time, as determined by the WCE official, but not to exceed a few minutes. If the WCE official determines that the identified player is not able to continue playing within such reasonable period of time, then the identified player's team shall forfeit the game unless a WCE official, in his/her discretion, determines that the game is subject to an Awarded Game Victory (see Section 8.5).

**8.3.3 Resuming the Game.** Players are not permitted to restart the game after a pause. After clearance from a WCE official is issued and all players are notified and ready at their stations, which will be contingent on the team captain confirming through in-game chat that both teams are ready to resume play, the in-client spectators will unpause the game.

**8.3.4 Unauthorized Pause.** If a player pauses or unpauses a game without permission from a WCE official, it will be considered unfair play and penalties will be applied at the discretion of WCE officials.

**8.3.5 Player Communication During Stoppage of Play.** For the fairness of all competing teams, players are not allowed to communicate, in any fashion, with each other during a game pause. For the avoidance of doubt, players may communicate to the referee, but only when directed in order to identify and remedy the cause for the stoppage. If a pause extends long enough, referees may, at their sole discretion, allow teams to talk before the game is unpaused, in order to discuss the game conditions.

## 8.4 Game Restart

The decision of which condition(s) shall justify a game restart is solely at the discretion of WCE officials. Examples are listed below for purposes of illustration only:

**8.4.1 Restarts Before GOR.** The following are examples of situations in which a game may be restarted if GOR has not been established.

**8.4.1.1** If a player notices that player's rune, mastery, or GUI settings have not applied correctly between the game lobby and match, player can pause the game to adjust these settings. If the settings cannot be correctly adjusted, then the game may be restarted.

**8.4.1.2** If a WCE official determines that technical difficulties will not allow for the game to resume as normal (including a team's ability to be in proper position for certain game events, such as minion spawn).

**8.4.2 Restarts After GOR.** The following are examples of situations in which a game be restarted after GOR has been established.

**8.4.2.1** If a game experiences a critical bug at any point during the match which significantly alters game stats or gameplay mechanics.

**8.4.2.2** If a WCE official determines that there are environmental conditions which are unfair (e.g. excessive noise, hostile weather, unacceptable safety risks).

**8.4.3 Restart Protocol.** If a game experiences a critical bug at any point during the match that significantly alters game stats or gameplay mechanics, or the external environmental conditions become untenable then a restart may occur.

Certain circumstances must be met before a restart may occur. WCE officials must determine that the bug is critical and verifiable. For the bug to be considered critical, the bug must damage a player's ability to compete in the game situation. The determination of whether the bug has damaged a player's ability to compete is up to the sole discretion of the WCE officials. In order for a bug to be considered verifiable, the bug must be conclusively present and not attributable to player error. The spectator must then be able to replay the instance in question and verify the bug.



If a player believes s/he has experienced a critical bug, s/he must pause the game and alert a referee in a timely fashion. If it is believed that a player is attempting to delay reporting of a bug to wait for a possible restart at a more advantageous time, then a restart will no longer be granted.

If WCE officials determine that the bug is critical and verifiable and that the player followed the pause protocol, then the disadvantaged team will be presented with the option for a restart. If the team accepts, the game will immediately be restarted as per the rules established in Section 8.4. An exception to Rule 8.4 is if the restart occurred due to a champion bug, then settings no longer will be retained (including picks and bans) regardless of Game of Record status and the champion will be made ineligible for at least the remainder of the day's matches unless the bug can be conclusively tied to a specific game element that can be fully removed (i.e. a skin that can be disabled).

If a team is offered a restart and declines, then the team will be ineligible to request a restart on the bug that caused the potential restart for the remainder of the match. However, WCE officials reserve the right at all times to force a game restart if the game environment reaches a level of instability that compromises the competitive integrity of the game.

**8.4.4 Controlled Environment.** Certain conditions may be preserved in the event of a restart of a game that has not reached GOR, including, without limitation, picks/bans or Summoner spells. If, however, a match has reached GOR then WCE officials shall not retain any settings.

**8.4.5 Player Confirmation of Settings.** Each team captain shall verify that every player on his/her team has finalized their intended game settings (including runes, masteries, controls, and GUI settings) before GOR is established. Any error in verification is not grounds for a game restart after GOR is established.

## 8.5 Awarded Game Victory

In the event of a technical difficulty which leads WCE officials to declare a restart, the WCE may instead award a game victory to a team. If a game has been played for more than 20 minutes on the game clock (00:20:00), WCE officials, in their sole discretion, may determine that a team cannot avoid defeat to a degree of reasonable certainty. The following criteria may be used in the determination of reasonable certainty.

- 8.5.1 Gold Differential.** The difference in gold between the teams is more than 33%.
- 8.5.2 Remaining Turret Differential.** The difference in the number of remaining turrets between the teams is more than seven (7).
- 8.5.3 Remaining Inhibitor Differential.** The difference in the number of standing inhibitors between the teams is more than two (2).

## 8.6 Post-Game Process

- 8.6.1 Results.** WCE officials will confirm and record game result.
- 8.6.2 Tech Notes.** Players will identify any tech issues with WCE officials.
- 8.6.3 Break Time.** WCE officials will inform players of the remaining amount of time before the next game's pick/ban phase begins. Pick/ban phase will commence as scheduled, WCE of whether a team is fully present in the match area at that time. WCE officials may, at their discretion, log in to a player's account and join the game lobby. If only a single player from a team is present in the match area when the pick/ban phase begins, that player may determine all picks/bans for his/her team; however, if no player from a team is present in the match area when the pick/ban phase begins, that team shall be deemed to have forfeited the game.
- 8.6.4 Results of Forfeiture.** Matches won by forfeit will be reported by the minimum score it would take for one team to win the match (e.g. 1-0 for best-of-1 matches, 2-0 for best-of-three matches, 3-0 for best-of-five matches). No other statistics will be recorded for forfeited matches.

## **8.7 Post-Match Process**

**8.7.1 Results.** WCE officials will confirm and record the match result.

**8.7.2 Next Match.** Players will be informed of their current standing in the competition, including their next scheduled match.

**8.7.3 Post-Match Obligations.** Players will be informed of any post-match obligations, including, but not limited to, media appearances, interviews, or further discussion of any match matters.

## 9. Player Conduct

### 9.1 Competition Conduct

**9.1.1 Unfair Play.** The following actions will be considered unfair play and will be subject to penalties at the discretion of WCE officials.

**9.1.1.1 Collusion.** Collusion is defined as any agreement among two (2) or more players and/or confederates to disadvantage opposing players. Collusion includes, but is not limited to, acts such as:

- 9.1.1.1.1** Soft play, which is defined as any agreement among two (2) or more players to not damage, impede or otherwise play to a reasonable standard of competition in a game.
- 9.1.1.1.2** Pre-arranging to split prize money and/or any other form of compensation.
- 9.1.1.1.3** Sending or receiving signals, electronic or otherwise, from a confederate to/from a player.
- 9.1.1.1.4** Deliberately losing a game for compensation, or for any other reason, or attempting to induce another player to do so.

**9.1.1.2 Competitive Integrity.** Teams are expected to play at their best at all times within any WCE game, and to avoid any behavior inconsistent with the principles of good sportsmanship, honesty, or fair play. For the purpose of clarification, team composition and the pick/ban phase will not be considered when determining whether this rule has been violated.

**9.1.1.3 Hacking.** Hacking is defined as any modification of the League of Legends game client by any player, team or person acting on behalf of a player or a team.

**9.1.1.4 Exploiting.** Exploiting is defined as intentionally using any in-game bug to seek an advantage. Exploiting includes, but is not limited to, acts such as: glitches in buying items, glitches in neutral minion interactions, glitches in Champion ability performance, or any other game function that, in the sole determination of WCE officials, is not functioning as intended.

**9.1.1.5 Spectator Monitors.** Looking at or attempting to look at spectator monitors.

**9.1.1.6 Ringing.** Playing under another player's account or soliciting, inducing, encouraging or directing someone else to play under another player's account.

**9.1.1.7 Cheating Device.** The use of any kind of cheating device and/or cheat program.

**9.1.1.8 Intentional Disconnection.** An intentional disconnection without a proper and explicitly-stated reason.

**9.1.1.9 WCE Discretion.** Any other further act, failure to act, or behavior which, in the sole judgment of WCE officials, violates these Rules and/or the standards of integrity established by the WCE for competitive game play.

**9.1.2 Profanity and Hate Speech.** A Team Member may not use language that is obscene, foul, vulgar, insulting, threatening, abusive, libelous, slanderous, defamatory or otherwise offensive or objectionable; or promote or incite hatred or discriminatory conduct, in or near the match area, at any time. A Team Member may not use any facilities, services or equipment provided or made available by WCE or its contractors to post, transmit, disseminate or otherwise make available any such prohibited communications.

**9.1.3 Disruptive Behavior / Insults.** A Team Member may not take any action or perform any gesture directed at an opposing Team Member, or incite any other individual(s) to do the same, which is insulting, mocking, disruptive, or antagonistic.

**9.1.4 Abusive Behavior.** Abuse of WCE officials, opposing Team Members, or audience members will not be tolerated. Repeated etiquette violations, including but not limited to touching another player's computer, body or property will result in penalties. Team Members and their guests (if any) must treat all individuals attending a match with respect.

**9.1.5 Studio Interference.** No Team Member may touch or otherwise interfere with lights, cameras or other studio equipment. Team Members may not stand on chairs, tables or other studio equipment. Team Members must follow all instructions of WCE studio personnel.

**9.1.6 Unauthorized Communications.** All mobile phones, tablets and other voice-enabled and/or "ringing" electronic devices must be fully powered off during play. Players may not text/email while in the match area. During the match, communication by a Starter shall be limited to the five players on Starter's team.

**9.1.7 Apparel.** Team Members may wear apparel with multiple logos, patches or promotional language. WCE reserves the right at all times to impose a ban on objectionable or offensive apparel:

- 9.1.7.1** Containing any false, unsubstantiated, or unwarranted claims for any product or service, or testimonials, that WCE, in its sole and absolute discretion, considers unethical.
- 9.1.7.2** Advertising any non-"over the counter" drug, tobacco product, firearm, handgun or ammunition.
- 9.1.7.3** Containing any material constituting or relating to any activities which are illegal in any WCE region, including but not limited to, a lottery or an enterprise, service or product that abets, assists or promotes gambling.
- 9.1.7.4** Containing any material that is defamatory, obscene, profane, vulgar, repulsive or offensive, or that describes or depicts any internal bodily functions or symptomatic results of internal conditions, or refers to matters which are not considered socially acceptable topics.
- 9.1.7.5** Advertising any pornographic website or pornographic products.
- 9.1.7.6** Containing any trademark, copyrighted material or other element of intellectual property that is used without the owner's consent or that may give rise to, or subject WCE or its affiliates to, any claim of infringement, misappropriation, or other form of unfair competition.
- 9.1.7.7** Disparaging or libeling any opposing team or player or any other person, entity or product.
- 9.1.7.8** The WCE reserves the right to refuse entry or continued participation in the match to any Team Member who does not comply with the aforementioned apparel rules.

**9.1.8 Identity.** A player may not cover his or her face or attempt to conceal his or her identity from WCE officials. WCE officials must be able to distinguish the identity of each player at all times and may instruct players to remove any material that inhibits the identification of players or is a distraction to other players or WCE officials.

## **9.2 Unprofessional Behavior**

**9.2.1 Responsibility Under Code.** Unless expressly stated otherwise, offenses and infringements of these Rules are punishable, whether or not they were committed intentionally. Attempts to commit such offenses or infringements are also punishable.

- 9.2.2 Harassment.** Harassment is forbidden. Harassment is defined as systematic, hostile and repeated acts taking place over a considerable period of time, which are intended to isolate or ostracize a person and/or affect the dignity of the person.
- 9.2.3 Sexual Harassment.** Sexual harassment is forbidden. Sexual harassment is defined as unwelcome sexual advances. The assessment is based on whether a reasonable person would regard the conduct as undesirable or offensive. There is zero tolerance for any sexual threats/coercion or the promise of advantages in exchange for sexual favors.
- 9.2.4 Discrimination and Denigration.** Team Members may not offend the dignity or integrity of a country, private person or group of people through contemptuous, discriminatory or denigrating words or actions on account of race, skin color, ethnic, national or social origin, gender, language, religion, political opinion or any other opinion, financial status, birth or any other status, sexual orientation or any other reason.
- 9.2.5 Statements Regarding WCE, Riot Games, and League of Legends.** Team Members may not give, make, issue, authorize or endorse any statement or action having, or designed to have, an effect prejudicial or detrimental to the best interest of WCE, Riot Games or its affiliates, or League of Legends, as determined in the sole and absolute discretion of WCE.
- 9.2.6 Tribunal Punishment.** If a Team Member is found guilty and punished by the Riot Tribunal, WCE officials may assign an additional competition penalty at their sole discretion.
- 9.2.7 Player Behavior Investigation.** If WCE or Riot determines that a Team Member has violated the Summoner's Code, the LoL Terms of Service, or other rules of LoL, WCE officials may assign penalties at their sole discretion.
- 9.2.8 Criminal Activity.** A Team Member may not engage in any activity which is prohibited by common law, statute, or treaty and which leads to or may be reasonably deemed likely to lead to conviction in any court of competent jurisdiction.
- 9.2.9 Moral Turpitude.** A Team Member may not engage in any activity which is deemed by the WCE to be immoral, disgraceful, or contrary to conventional standards of proper ethical behavior.

- 9.2.10 Confidentiality.** A Team Member may not disclose any confidential information provided by WCE or any affiliate of Riot Games, by any method of communication, including all social media channels.
- 9.2.11 Bribery.** No Team Member may offer any gift or reward to a player, coach, manager, WCE official, Riot Games employee, or person connected with or employed by another WCE team for services promised, rendered, or to be rendered in defeating or attempting to defeat a competing team.
- 9.2.12 No Poaching or Tampering.** No Team Member or Affiliate of a team may solicit, lure, or make an offer of employment to any Team Member who is signed to any WCE team, nor encourage any such Team Member to breach or otherwise terminate a contract with said WCE team. Violations of this rule shall be subject to penalties, at the discretion of WCE officials.
- 9.2.13 Gifts.** No Team Member may accept any gift, reward or compensation for services promised, rendered, or to be rendered in connection with competitive play of the game, including services related to defeating or attempting to defeat a competing team or services designed to throw or fix a match or game. The sole exception to this rule shall be in the case of performance-based compensation paid to a Team Member by a team's official sponsor or owner.
- 9.2.14 Non-Compliance.** No Team Member may refuse or fail to apply the instructions or decisions of WCE officials.
- 9.2.15 Match-Fixing.** No Team Member may offer, agree, conspire, or attempt to influence the outcome of a game or match by any means that are prohibited by law or these Rules.
- 9.2.16 Document or Miscellaneous Requests.** Documentation or other reasonable items may be required at various times throughout the WCE as requested by WCE officials. Penalties may be imposed if the items or documentation requested are not received and/or completed at the required time or does not meet the standards set by the WCE.

### **9.3 Association with Gambling**

No Team Member or WCE official may take part, either directly or indirectly, in betting or gambling on any results of any WCE game, match or tournament.



## **9.4 Subjection to Penalty**

Any person found to have engaged in or attempted to engage in any act that WCE believes, in its sole and absolute discretion, constitutes unfair play, will be subject to penalty. The nature and extent of the penalties imposed due to such acts shall be in the sole and absolute discretion of the WCE.

## **9.5 Penalties**

Upon discovery of any Team Member committing any violations of the rules listed above, the WCE may, without limitation of its authority under Section 9.4, issue the following penalties:

- 9.5.1** Verbal Warning(s)
- 9.5.2** Loss of Side Selection for Current or Future Game(s)
- 9.5.3** Loss of Ban for Current or Future Game(s)
- 9.5.4** Fine(s) and/or Prize Forfeiture(s)
- 9.5.5** Game Forfeiture(s)
- 9.5.6** Match Forfeiture(s)
- 9.5.7** Suspension(s)
- 9.5.8** Disqualification(s)

Repeated infractions are subject to escalating penalties, up to, and including, disqualification from future participation in WCE. It should be noted that penalties may not always be imposed in a successive manner. The WCE, in its sole discretion, for example, can disqualify a player for a first offense if the action of said player is deemed egregious enough to be worthy of disqualification by WCE officials.

## **9.6 Right to Publish**

WCE shall have the right to publish a declaration stating that a Team Member has been penalized. Any Team Members and/or team which may be referenced in such declaration hereby waive any right of legal action against the League of Legends Championship Series, LLC, Riot Games, Inc., and/or any of their parents, subsidiaries, affiliates, employees, agents, or contractors.

## **10. Spirit of the Rules**

### **10.1 Finality of Decisions**

All decisions regarding the interpretation of these rules, player eligibility, scheduling and staging of the WCE, and penalties for misconduct, lie solely with the WCE, the decisions of which are final. WCE decisions with respect to these Rules cannot be appealed and shall not give rise to any claim for monetary damages or any other legal or equitable remedy.

### **10.2 Rule Changes**

These Rules may be amended, modified or supplemented by the WCE, from time to time, in order to ensure fair play and the integrity of the WCE.

\* \* \*